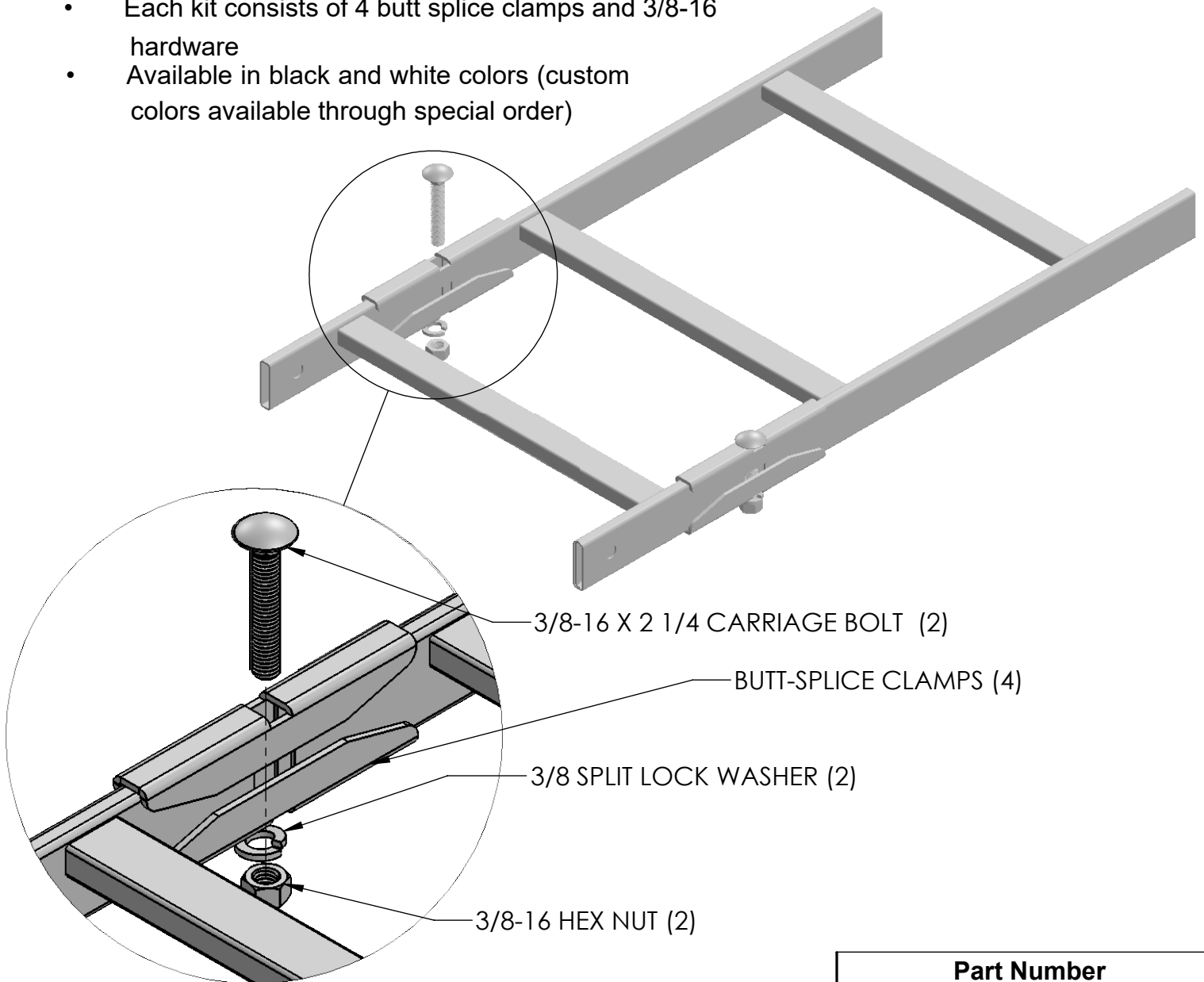


PRODUCT INFORMATION SHEET

BUTT-SPLICE KIT

The butt-splice kit is used to fasten cable runway sections to end

- Constructed of high strength steel
- Components are RoHS compliant
- Comforms to EIA-310 standard
- Each kit consists of 4 butt splice clamps and 3/8-16 hardware
- Available in black and white colors (custom colors available through special order)



Part Number

WL-BSKTPR-BK

WWW.WAVENET.NET

CARSON, CA.

PHONE: 310-885-4200