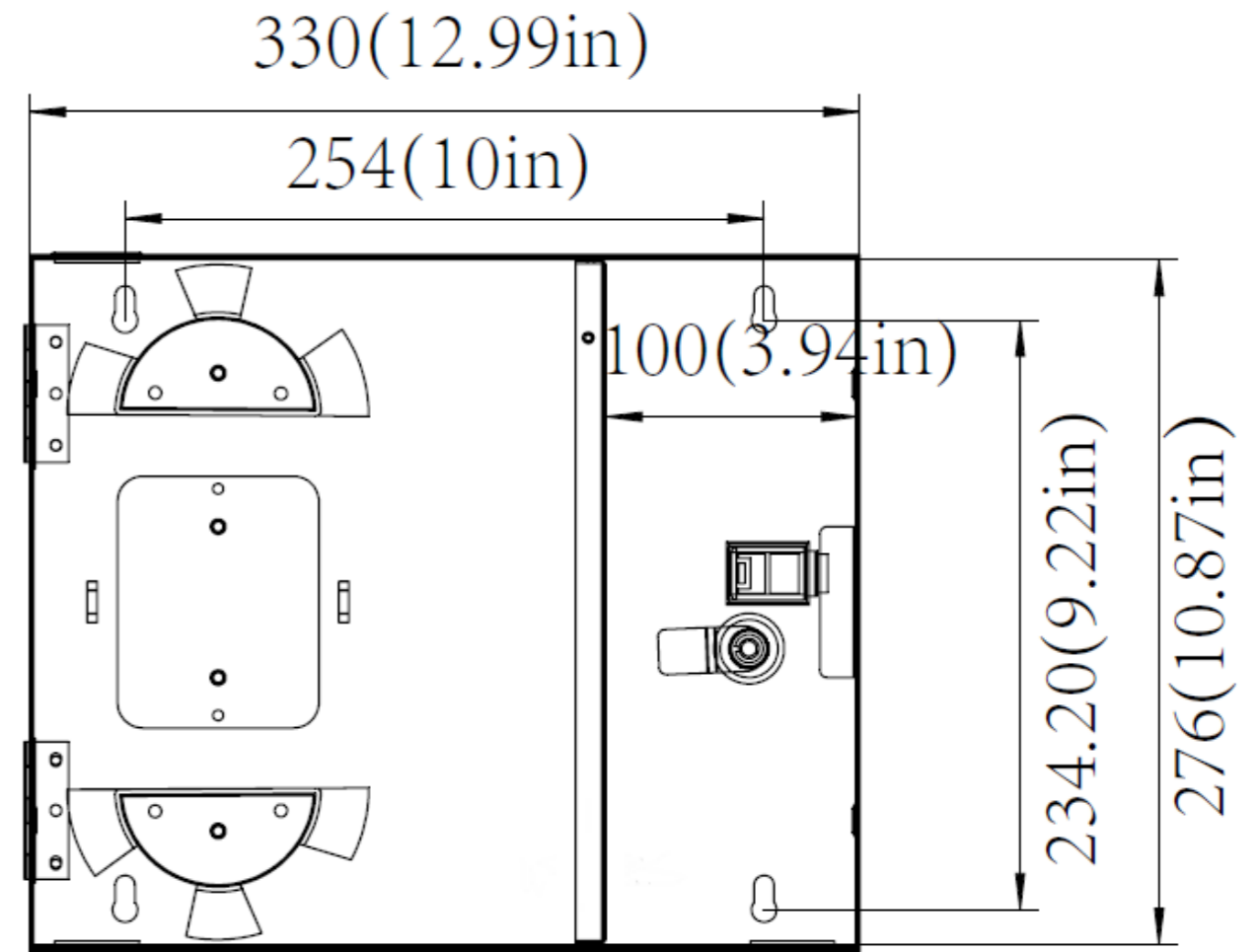


Side view



Front view



Silkscreen Logo: 60 x 13.25mm

Description:

4-Panel wall mount fiber optic enclosure

1. Material:SPCC cold rolled steel 1.0mm
2. Dimension: 330W*92D*276H (mm)
3. Finish: black powder coat finish
4. Type of logos: silkscreen logo
5. Compliance & standards: CE, RoHS
6. Packaging type: single pack

Package includes:

1. 4-Panel wall mount enclosure *1pc
2. Keys*2pcs
3. Cable management spools*4pcs
4. Rubber grommets*4pcs
5. Hook and loop ties*4pcs
6. Nut*4pcs
7. Laser warning label* 1pc
8. Location label*1pc
9. Mounting bolts*4pcs
10. Fiber optic splice sleeve*24pcs
11. 12-splice tray*2pcs

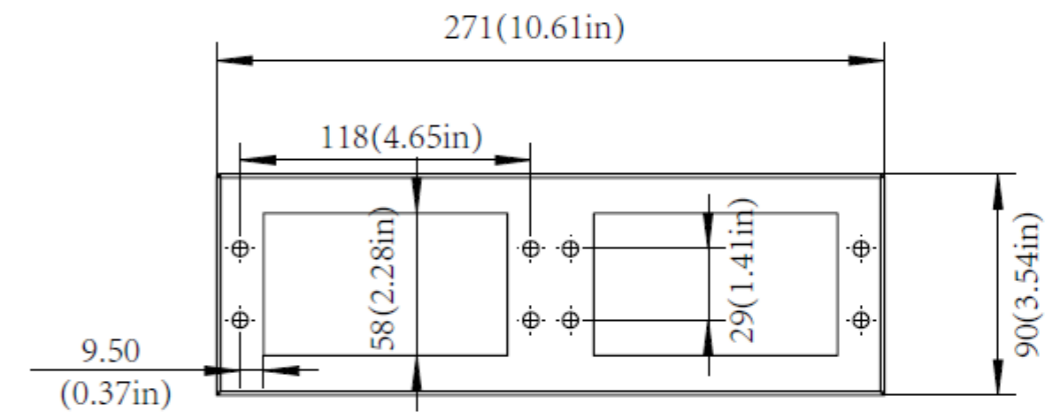


table of limits				WaverNet			
Grade	A	B	C				
0.5-3	±0.05	±0.10	±0.20	Model	WMFO-4P		
3-6	±0.05	±0.10	±0.30	Approved		Design	
6-30	±0.10	±0.20	±0.50	Checked		Rev.	May.18th.2023
30-120	±0.15	±0.30	±0.80				
120-400	±0.20	±0.50	±1.20				
400-1000	±0.30	±0.80	±2.00				